

# MODEL GP-15

High Gain Triple band  
Ground Plane Antenna  
for 52.5, 146 & 446MHz

## Instruction Manual

Thank you for purchasing our products.

**For your safety :**

Read this manual carefully for proper handling and operation before using.  
Keep this manual in a safe place for future reference.

**【Features】**

- Low-Loss and High Gain, based on SLC, Super-Linear-Converter.
- Wide-Band, and requires no Frequency adjustment (excluded 52.5MHz band).
- Heavy-duty fiberglass guarantees perfect water/pollution-proof and prevents QSB.
- Enjoy Triple-Band Communication with COMET Triplexer, CF-514 and/or CF-5140.

**【Specifications】**

Frequency : 52.5 , 146 & 446 MHz  
Gain : 52.5MHz / 3.0 dBi, 146MHz / 6.2 dBi, 446MHz / 8.6 dBi  
Impedance : 50 Ω  
VSWR : 1.5 or less  
Length : 2.42 m  
Max Input Power : 300W (SSB)  
Weight : 1.4 kg  
Max Wind Survival : 50m/sec  
Mounting Mast Diameter : Φ30-62 mm  
Connector : M-Jack or N-Jack

**【Parts List】**

|                                   |     |
|-----------------------------------|-----|
| 1. Element                        | - 1 |
| 2. Radial w/ Hex. nut             | - 2 |
| 3. Radial for 52.5MHz w/ Hex. nut | - 1 |
| 4. Power feeding section          | - 1 |
| 5. Mount bracket                  | - 2 |
| 6. Mount support pipe             | - 1 |
| 7. Lock bolt w/ sp.washer M6x8    | - 1 |
| 8. Hex.bolt w/ sp.washer M6x30    | - 1 |
| 9. U-Bolt w/sp.washer & Hex.nut   | - 2 |

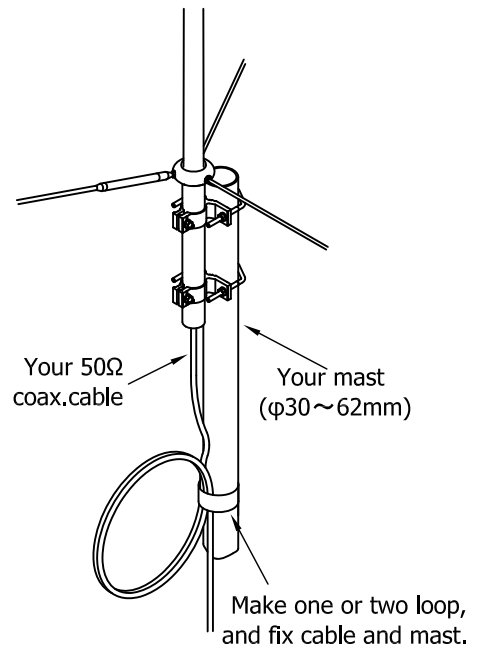
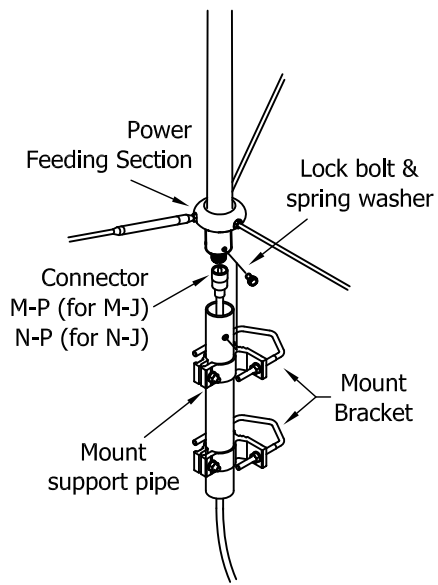
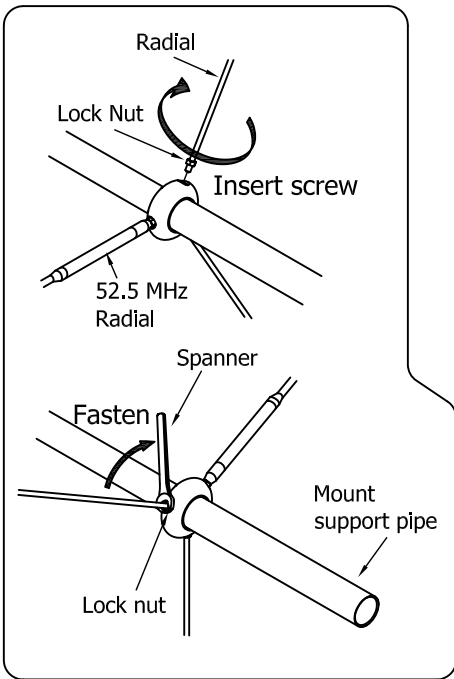
**【How To Assemble】**

1. Assemble three radials ( Included 52.5MHz radial - 1piece). Fasten radial-lock Nuts securely with spanner etc....

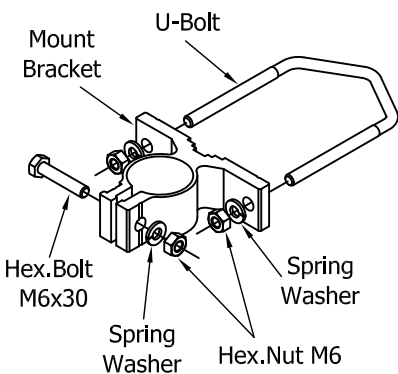
2. Put two mount brackets on the mount support pipe. Pass the coax cable through the pipe, and attach it to power feeding section. Be sure to fasten hex bolts firmly. Then, attach support pipe onto the antenna.

3. Mount all assembled antennas on your mast.  
This antenna is so long. Keep your eyes on balance of this antenna and use as strong mast as you can, between 30 to 62mm dia.

\*Make sure to use low loss coax cable.



**◆ Mount Bracket & U-Bolt**

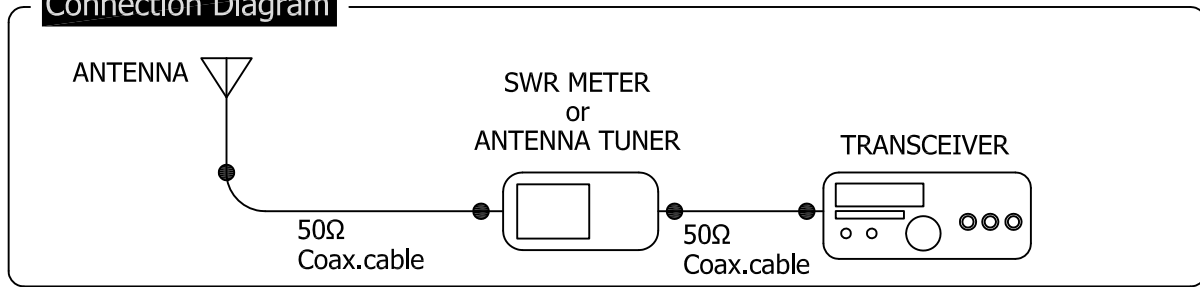


Note : For long-term use, water-proofing with glue, self-fusing tape, and/or vinyl tape is highly recommended.

**⚠ Precautions for using**

- This antenna is only for ham radio. Do not use this for other purposes.
- Operation outside the specification might damage the antenna.
- Adjust the antenna correctly. Elevated SWR could damage the antenna.
- Never attempt to modify or fix the antenna by yourself.
- Do not touch the antenna while transmitting.

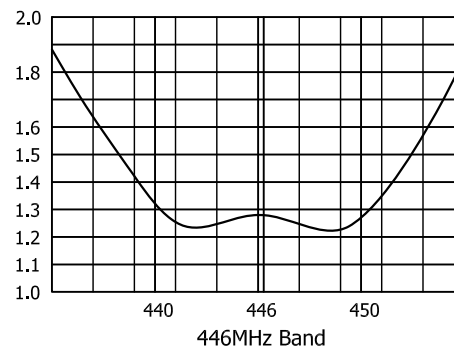
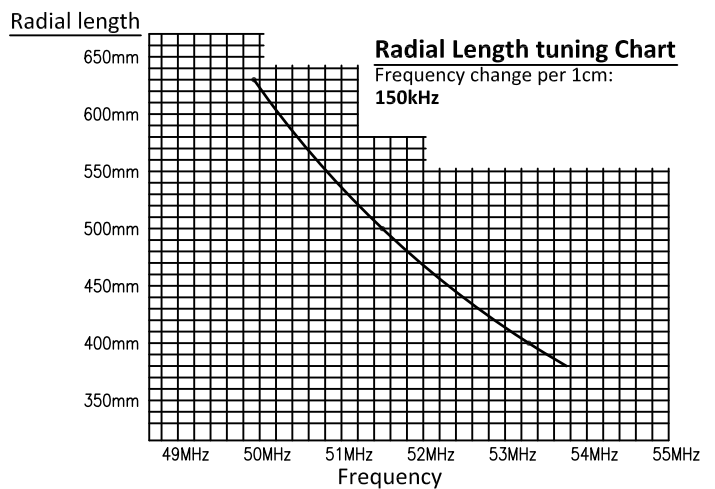
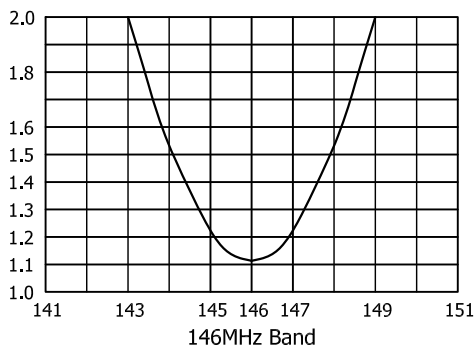
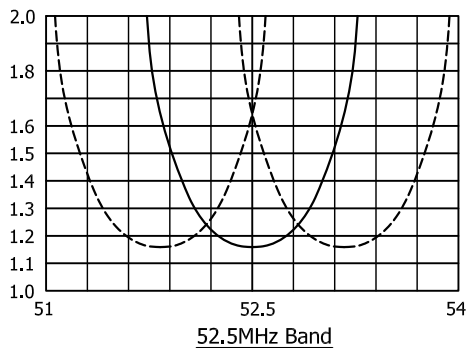
## Connection Diagram



## 50MHz Radial Length (default length)



### VSWR characteristics



### ⚠ Precautions for using

- This antenna is only for ham radio. Do not use this for other purposes.
- Operation outside the specification might damage the antenna.
- Adjust the antenna correctly. Elevated SWR could damage the antenna.
- Never attempt to modify or fix the antenna by yourself.
- Do not touch the antenna while transmitting.

### Maintenance

- Check SWR before using to confirm if the antenna works normally.
- Check if screws, bolts and nuts are tightened securely, and if not, retighten them.
- Be sure to change the parts, deformed by long-term use or low in intensity.

◆ Specifications or appearance is subject to change without notice.

## COMET CO.,LTD.

4-18-2, Tsuji, Minami-ku, Saitama-shi, Saitama-Pref, 336-0026, JAPAN

TEL : 81-48-839-3131 / FAX : 81-48-839-3136

<http://www.comet-ant.co.jp/english>